



Image may differ from product. See technical specification for details.

## BS2-2211-2RS/VT143

### Spherical roller bearing with integral sealing and relubrication features

Spherical roller bearings can accommodate heavy loads in both directions. They are self-aligning and accommodate misalignment and shaft deflections, with virtually no increase in friction or temperature. Under normal operating conditions, sealed bearings are almost maintenance-free, keeping service costs and grease consumption low. The design includes features to facilitate relubrication.

- Accommodate misalignment
- High load carrying capacity
- Sealed for increased reliability, with relubrication features
- Low friction and long service life
- Increased wear resistance

# Overview

## Dimensions

Bore diameter	55 mm
Outside diameter	100 mm
Width	31 mm

## Properties

Number of rows	2
Locating feature, bearing outer ring	Without
Bore type	Cylindrical
Cage	Sheet metal
Radial internal clearance	CN
Tolerance class	Normal
Tolerance class for dimensions	Normal
Tolerance class for run-out	P5
Sealing	Seal on both sides
Sealing type	Contact
Lubricant	Grease
Relubrication feature	With

## Performance

Basic dynamic load rating	129 kN
Basic static load rating	127 kN
Limiting speed	3 000 r/min
SKF performance class	SKF Explorer

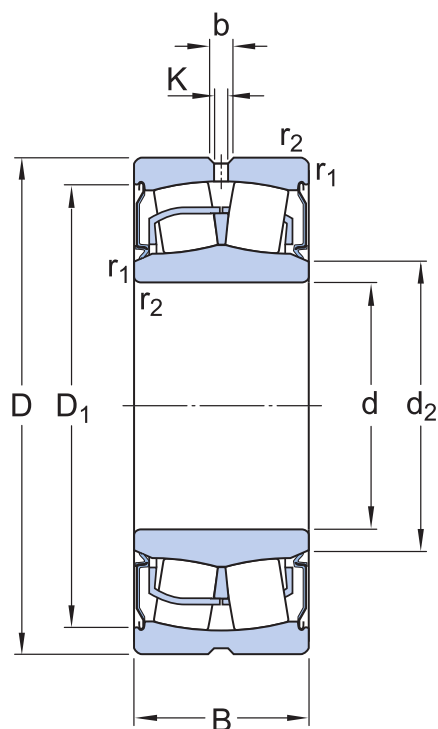
## Logistics

Product net weight	0.943 kg
eClass code	23-05-09-11
UNSPSC code	31171510

# Technical specification

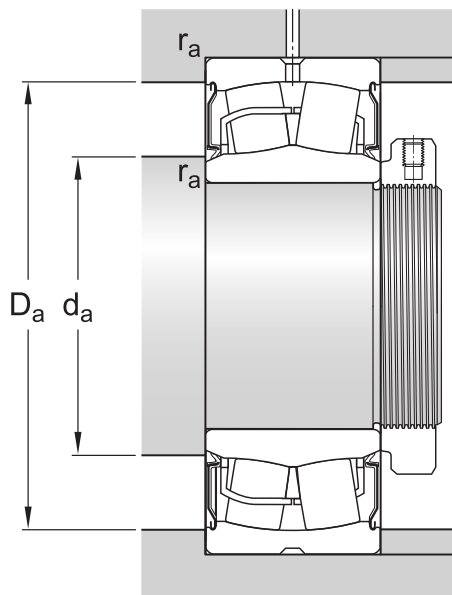
Bore type

Cylindrical



## Dimensions

d	55 mm	Bore diameter
D	100 mm	Outside diameter
B	31 mm	Width
d <sub>2</sub>	≈ 63.5 mm	Shoulder diameter of inner ring
D <sub>1</sub>	≈ 92 mm	Shoulder/recess diameter of outer ring
b	6 mm	Width of lubrication groove
K	3 mm	Diameter of lubrication hole
r <sub>1,2</sub>	min. 1.5 mm	Chamfer dimension



## Abutment dimensions

d <sub>a</sub>	min. 63.3 mm	Diameter of shaft abutment
d <sub>a</sub>	max. 63.5 mm	Diameter of shaft abutment
D <sub>a</sub>	max. 91 mm	Diameter of housing abutment
r <sub>a</sub>	max. 1.5 mm	Radius of fillet

## Calculation data

SKF performance class	SKF Explorer	
Basic dynamic load rating	C	129 kN
Basic static load rating	C <sub>0</sub>	127 kN
Fatigue load limit	P <sub>u</sub>	14 kN
Limiting speed	3 000 r/min	

Limiting value	e	0.24
Calculation factor	Y <sub>1</sub>	2.8
Calculation factor	Y <sub>2</sub>	4.2
Calculation factor	Y <sub>0</sub>	2.8

## Mass

---

Mass	1 kg
------	------

## Tolerance class

---

Dimensional tolerances	Normal
Radial run-out	P5